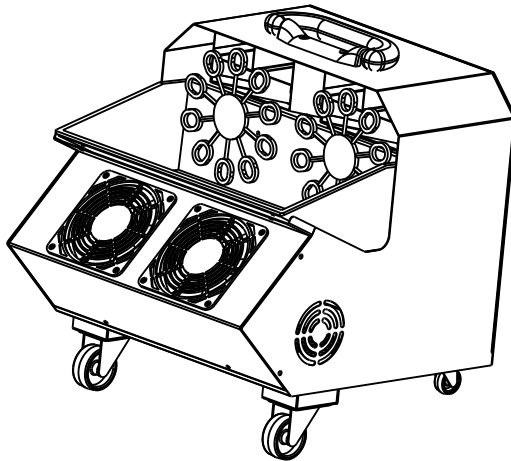


**djv**<sup>®</sup> BY **DJPOWER**<sup>®</sup>

[ PRO STAGE EFFECTS ]



**P-1000Y** USER MANUAL  
**BUBBLE MACHINE**

## ◆ Foreword

Thank you very much of choosing P-1000Y Bubble Machine .  
Before start operating,we strongly suggest you to read the user manual carefully. Following the instructions here will ensure your safety while operating the machine,easily achieve the best effect,as well as understand the right way to care for and maintain the machine,hence to prolong the product life cycle.

## ◆ Introduction

As bubble machine updated from P-1000S, P-1000Y can produce plenty of bubbles via two bubble generator. Plastic fluid tank prevents rust or leakage. Bubble distance and output can be adjusted via DMX controller, built-in control panel or wireless remote controller W-2.

## ◆ Features

1. Belt drive prevents motor from water damage;
2. Small and convenient for transportation;
3. Pls use DJPOWER's bubble fluid, if not, it might cause damage.

## ◆ Safety use

- After each time use of the bubble machines, it is necessary to clean the bubble heads with clean water in time to prevent the residual bubble liquid on the bubble heads from solidifying and gluing, which will cause it to fail to be used normally next time!
- Keep the fixture dry. For indoor and outdoor used.
- Use grounded electrical outlet. Prior to use,make sure that unit is installed at the rated voltage.
- Turn off or unplug when not using it.
- This machine is not water-proof. Please keep it away from moisture and water. If moisture,water,or fluid gets inside the housing, stop using it.
- No user serviceable and modifiable parts inside. Do not disassemble the housing and do any modification, otherwise it might cause damage to the unit or danger of burning.
- For adult use only. Fixture must be installed out of the reach of children.Never leave the unit running unattended. Keep it away from fire,combustible and flammable materials.
- Position the machine in well-ventilated area. Please leave about 50cm spaces surrounding the unit.
- Please do not use the fixture under high temperature.
- Never add flammable liquids of any kind(oil,gas,perfume)to the fog liquid.

- If something wrong happen while using, please stop the fixture immediately, cut off the power, and check the fog liquid amount, fuse, power cable and power plug. If problem could not be resolved, please contact with your dealer.
- Use only DJPOWER high-quality Bubble Fluid.
- Never drink liquid. If it is ingested, call a doctor immediately for any discomfort. If liquid comes in contact with skin or eyes, rinse thoroughly with water.

◆ **The following parts should be included when you receive the package:**

1. One P-1000Y Bubble Machine
2. A set of W-2 controller, including a transmitter and a remote
3. One power cord
4. One user manual

◆ **Operating instruction**

1. After checking that all the parts are intact and complete, position the machine on flat. And then pour about 2 liter of bubble fluid into the tank. Please do not overflow, and make sure that the fluid level is below the yellow line.
2. Please connect the power. Before turning on the power switch on the rear controlling panel, please make sure it is connected with the rated voltage and well grounded. After power on, screw the manual switch to create vivid bubbles. Also it can be controlled by remote in case that the manual control is off. Plug in the transmitter, then press the button on the remote to create bubble.
3. If under DMX control, please connect the machine to DMX console. Note: DMX address is set according to the DIP switches.
4. When moving the machine, please handle with care to ensure that the bubble liquid would not overflow and go into the inside of the machine. Or discharge the bubble liquid from the outlet before moving.

◆ **DMX control operating instruction**

The machine can be controlled by DMX-512 through 3-pin and 5-pin XLR connector. Control signal cable output to the machine must correspond to 3-pin DMX XLR sockets and 5-pin DMX XLR socket 1(GND), 2 (-) and 3 (+). It is better to use the signal cable less than 100m to avoid interference from other appliance.

Note: some controller need to switch 2 and 3 feet welding to work properly.

Address code set:

Bubble machine using one data control frequency range. Bubble machine address range is 0 to 511.

The Bubble machine uses 1 channel to control its operation. The channel is as below: 0-5 OFF, 6-255 ON.

The direction as the arrow points to means on.

The above picture shows that the DMX address is "1".



## ◆ Maintenance

1. Please discharge the bubble liquid before moving the machine to avoid the damages to the motor caused by overflow.
2. If you need to transport after you pouring out the bubble liquid, please clean up the liquid in the container with a cloth.
3. Please discharge the bubble liquid and store them by separate tank in case the machine would not be used often, otherwise the liquid would void.

## ◆ Technical parameters

Voltage:	AC 220V - 240V 50/60Hz
Fuse:	0.5A/250V
Power:	60W
Max Bubble Output Height:	4m
Max Bubble Output Distance:	8m
Fluid Consumption Rate:	100min/L
Wireless Remote Controller:	W-2
DMX-512:	√
Tank Capacity:	2.5L
N.W.:	13kg
G.W.:	15kg
Machine Size:	434/384/405(mm)
Package Size:	475/460/495(mm)
DMX Channel:	1
Consumables:	D-02 DJ rabbit bubble fluid

## ◆ Solution diagram

1. Handle
2. Fan
3. Power socket
4. Power switch
5. Manual switch
6. Fan speed control
7. S5 needle socket
8. 3-pin DMX XLR socket
9. DIP switch
10. Outfall
11. Bubble bar Rotary table
12. Fan
13. Wheel

