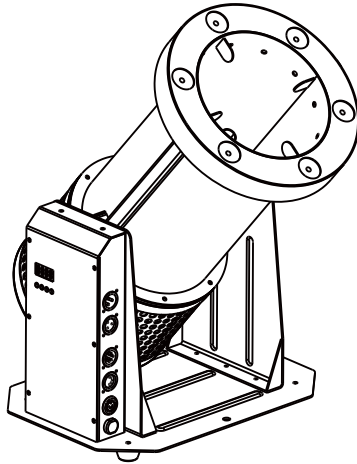


[ PRO STAGE EFFECTS ]



## ***R-4***

***LED CONFETTI MACHINE***

***USER MANUAL***

## ◆ Foreword

Thank you very much of choosing DJPOWER R-4 LED confetti blower. Before start operating, we strongly suggest you to read the user manual carefully. Following the instructions here will ensure your safety while operating the machine, easily achieve the best effect, as well as understand the right way to care for and maintain the machine, hence to prolong the product life cycle.

## ◆ Products Description

R-4 is a confetti machine, use fan as power to blow confetti to high sky, bringing festivity atmosphere to the ceremony and performance. R-4 is very compact and convenient to use, with 6pcs 8W RGBA LEDs to add more colors to confetti in the darkness.

## ◆ Products Features

1. Support DMX-512 and manual control;
2. 6pcs 8W RGBA LED;
3. Digital display, convenient address code set;
4. Equipped with updated wireless remote controller W-2 to support remote control.



CAUTION! Please note that the confetti can rub off when it comes into contact with moisture. Therefore, please only use confetti in or on dry, non-sensitive surroundings and surfaces. We assume no liability for damage resulting from disregard of these and other safety instructions in the operating instructions.

## ◆ Safety use

1. Keep the fixture dry. For indoor and outdoor used.
2. Use grounded electrical outlet. Prior to use, make sure that unit is installed at the rated voltage.
3. Turn off or unplug when not using it.
4. This machine is not water-proof. Please keep it away from moisture and water. If moisture, water, or fluid gets inside the housing, stop using it.
5. No user serviceable and modifiable parts inside. Do not disassemble the housing and do any modification, otherwise it might cause damage to the unit or danger of burning.
6. For adult use only. Fixture must be installed out of the reach of children. Never leave the unit running unattended. Keep it away from fire, combustible and flammable materials.
7. Position the machine in well-ventilated area. Please leave about 50cm spaces surrounding the unit.

8. Please do not use the fixture under high temperature.

9. If something wrong happen while using, please stop the fixture immediately, cut off the power, and check the fuse, power cable and power plug. If problem could not be resolved, please contact with your dealer.

◆ **Opening the package and inspecting the machine**

Please make sure the machine is in good condition after opening the package. If there is any damage, please contact with your dealer directly and do not power on the machine.

◆ **The following parts should be included when you receive the package**

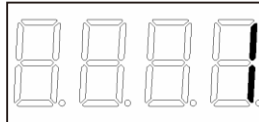
1. One R-4 LED confetti blower
2. One W-2 upgrade wireless remote controller
3. One power cord
4. One user manual

◆ **Operating instructions**

1. Power on. If without connecting with DMX signal, the digital display will show "Addr". Press "enter" button to enter the DMX address setting. Through UP and DOWN button, user can set the DMX address. Without any setting within 10s, it will exit the page and return to "ADDR" again. If not connecting with DMX, digital display will show "ADDR"



If yes, it will show the relevant DMX address.



2. If not connecting with DMX, Can turn on or off the machine if press Menu and Enter Synchronously.
3. If not connecting with DMX. Press the wireless remote to activate the machine and stop it by releasing the remote. There are four buttons on the wireless remote, matching with four different colors.
4. Under DMX control, the digital display will show the relevant DMX address accordingly. Press Up or DOWN button to set the DMX address. There are 9 channels in total. Below is the DMX layout:

Channel one: Confetti on/off  
Channel two: RED  
Channel three: GREEN

- Channel four: BLUE
- Channel five: YELLOW
- Channel six: Color mixture
- Channel seven: Strobe
- Channel eight: Random
- Channel nine: Brightness

◆ **Technical parameters**

Model:	R-4 LED Confetti Blower
Input Voltage:	220 V~240 V, 50/60Hz
Fuse:	F8 A/250 V
Total Power Consumption:	1,500 W
LED Power:	48 W
DMX-512:	√
Max Output Time:	20 s
Max Height (90°):	5 m
Max Distance (45°):	5.5 m
Max Coverage:	30 m <sup>2</sup>
Net Weight:	10 kg
Gross Weight:	11 kg
Machine Dimensions:	300/250/503 mm
Packing Dimensions:	395/300/555 mm

◆ **Configuration**

- 1.Nozzle
- 2.Digital display
- 3.3-pin DMX socket
- 4.5-pin DMX socket
- 5.Wireless transmitter connector
- 6.Power connector
- 7.6pcs 8w Quad LED
- 8.Knob

